

ERIK GABRIELSSON - PORTFOLIO



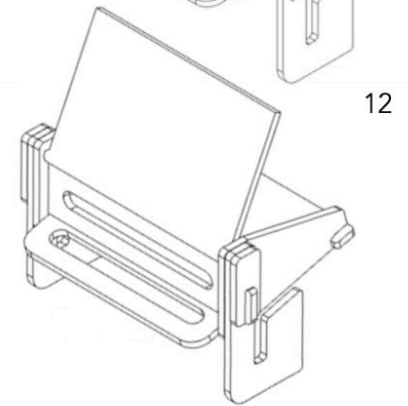
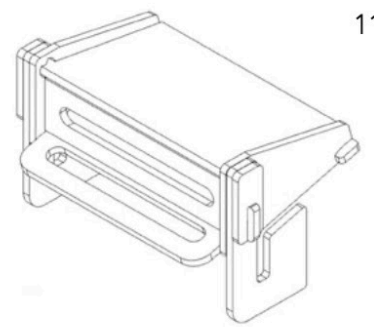
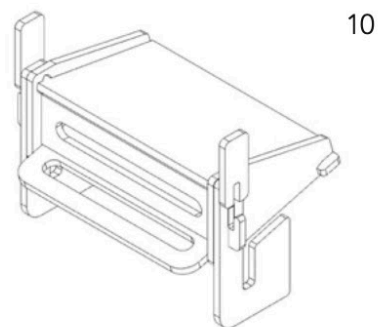
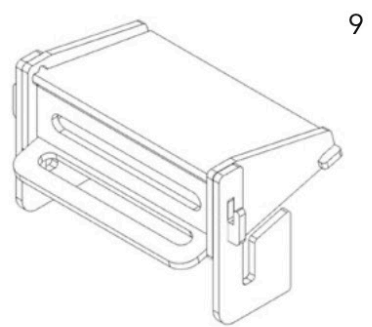
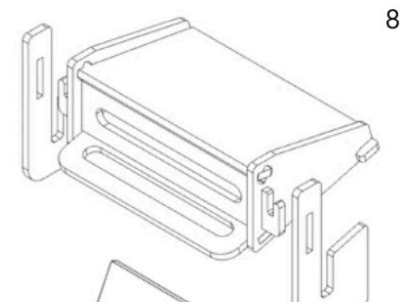
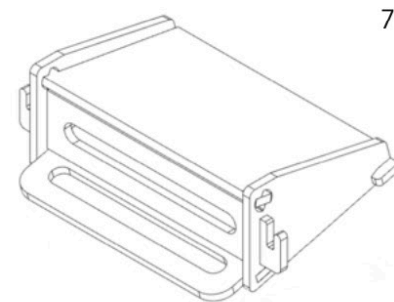
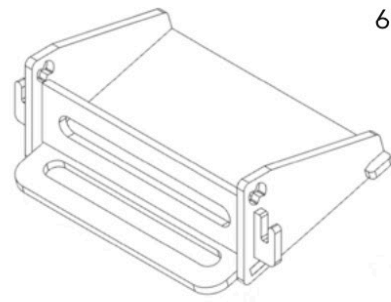
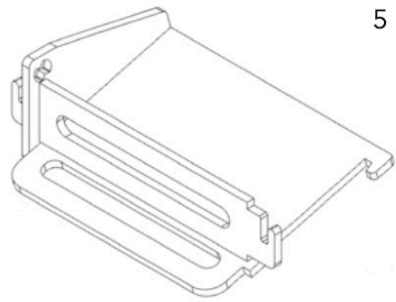
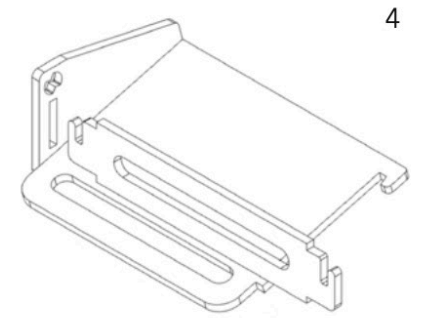
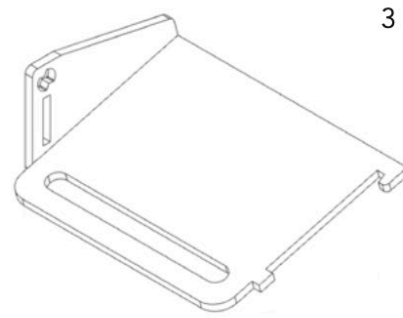
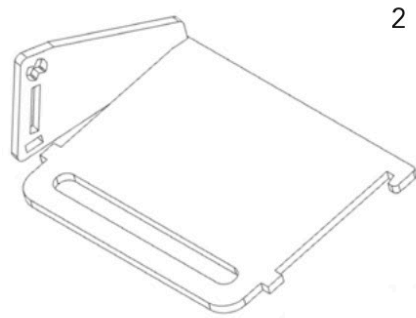
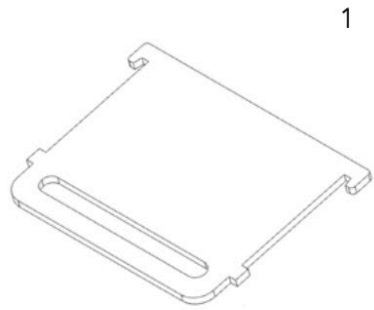


This stool has been designed with simplicity in mind. It has only four different forms from plywood. Its completely free from screws, glue and fasteners. There does exist a wall mount for convenient storage or the possibility of just folding down a single side and using it as a shelf.

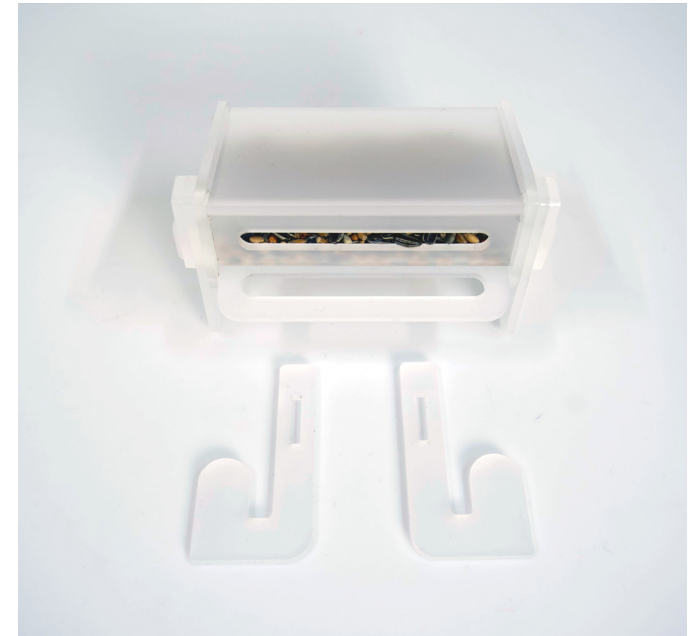


ATLAS - Stool

Year 4 / Delft 2018 / Plywood /



*Something I often do is lay out seeds on the windowsill.
The pleasure is to see birds visit. Bengt, a curious little
bird, became the first guest to take advantage of this new
restaurant. He seem to appreciates the new bird feeder.*



BIRDA - Bird feeder

Year 5 / Lund 2020 / PMMA /



The idea is a top tube of solid wood. It is a bit of a riddle to figure out how it is manufactured. So it is a great conversation starter. The first version was born in an intense workshop weekend. The wood is from a scrap piece of pine and the weld is on the down tube. It has been ridden daily for several years. For version 2, I decide to do it more thoroughly. Instead of pine, I used oak. The welding is now on the head tube. A project still in process...



V1



V2

WOODY - Bike frames

Magnarp / Malmö / 2020 / Steel / Pine / Oak /